



ACTUAL SIZE

HYDROLUME[®] is designed for harsh or wet* environments, and is completely UV, saltwater, and chlorine resistant. Add brilliant lighting virtually anywhere using a lighting solution durable enough to last in extreme environments, yet elegant enough for many other applications. Designed using patented technology, each section is custom assembled to your exact specifications in our California Operations Center to arrive prefinished and ready to install.

***WARNING: NOT FOR USE IN SUBMERSIBLE APPLICATIONS**

ITEM #	CCT (KELVIN)	CRI	LUMENS ¹ / FT.
DI-24V-HL35-80-** (STD)	3500K	80	75
DI-24V-HL65-72-** (STD)	6500K	72	82
DI-24V-HLP27-78-** (PLUS)	2700K	78	155
DI-24V-HLP35-80-** (PLUS)	3500K	80	165
DI-24V-HLP65-72-** (PLUS)	6500K	72	144

HYDROLUME is sold in custom lengths up to 81.5 feet (STD) or 32.6 feet (PLUS) in 7.08 inch increments.
Footnote 1 see page 2.



FEATURES

- UL Listed 2108 certification allows for installations indoor, outdoor, and in wet locations (not submerged in water)
- Safe for saltwater and chlorine treated installations.
- Resistant to direct sunlight and UV radiation

QUICK SPECS

Voltage	24VDC
Wattage	1.13W/ft. HYDROLUME 2.04W/ft. HYDROLUME PLUS
Max. Run²	81.5 ft. HYDROLUME 32.6 ft. HYDROLUME PLUS
Dimensions	0.47 x 0.22 in. (W x H) (Strip Only), 0.75 x 0.48 in. (W x H) (w/ Endcap)
Dimmable	Yes
Field Cuttable	No
LED Chips	10/ft.
Environment	Outdoor / wet location / IP65
Certification	UL Listed 2108
Warranty	5-Year Warranty

Visit the product page at www.DiodeLED.com for installation guides, .IES files, voltage drop charts, and LM-79 reports.

Item #

Project

SPECIFICATIONS

- Input: 24VDC Constant Voltage
- LED Chip Type: CREE 3228 SMD Chip (HL), CREE 3535 SMD Chip (HLP)
- LED Chip Beam Angle: 120°
- Material: UV/IR protected TPU
- Luminous Efficacy³ (lm/w): 66~103
- Mounting (sold separately): Stake Bracket, Mounting Bracket, and Mounting Channel
- Connections: Custom length hard-wire lead ranging from 2 in. ~ 45 ft. (HL) and 1 ~ 45 ft. (HLP) Leads: 18/2 AWG UL STJW Hard-Usage Cord
- Ambient Temp⁴: -4 ~ 122°F (-20 ~ 50°C)
- Operating Temp⁵: -4 ~ 176°F (-20 ~ 80°C)
- Flammability⁶: Flame retardant

COMPLIANCE & REGULATORY APPROVALS

Safety

- UL Listed 2108 Low Voltage Lighting System / Low Voltage Luminaire. UL 1598 / CSA 250.0-08, UL 8750. UL 879 / CAN/CSA-C22.2 no. 207-M89. Certified for United States and Canada. File # E469769.

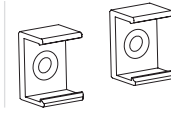
Performance

- LED chip data measured in accordance to IES LM-80-08.
- Photometric & Colorimetry data measured in accordance to IES LM-79-08, in Elemental LED's Innovation Lab.

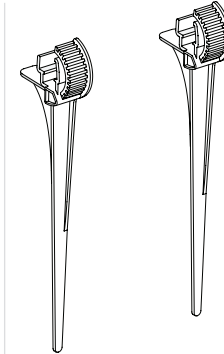
ADDITIONAL ACCESSORIES

Accessories listed below are fully compatible with our HYDROLUME product line. Further information on these products and more accessories can be found in our latest catalog or online at www.DiodeLED.com.

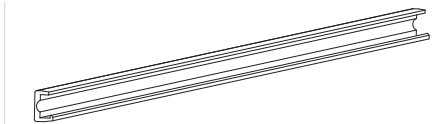
HYDROLUME
Mounting Bracket
DI-HL-MTBR



HYDROLUME Stake
Bracket
DI-HL-STBR



HYDROLUME
Mounting Channel
(Length: 39.4in.)
DI-HL-MTCH



COMPATIBLE DRIVERS

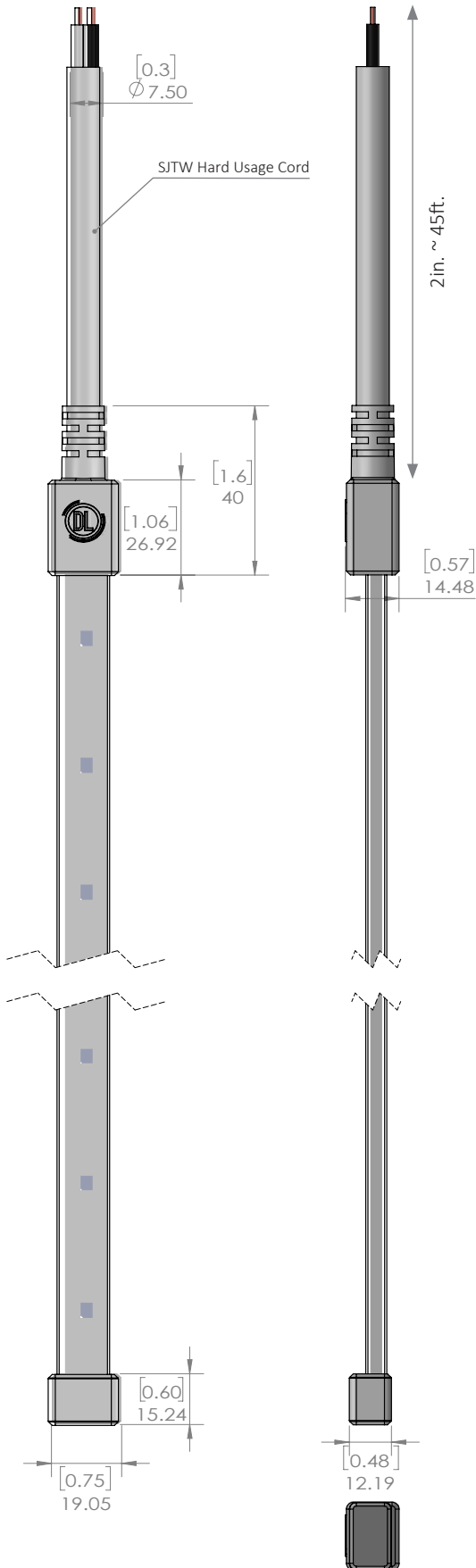
Additional information on compatible Drivers can be found on page 4-5 or on the Diode LED web site at: www.DiodeLED.com.

1. Lumen value measured in accordance to IES LM-80-08. LED chips have a luminous flux range with a tolerance of +/- 5%. Each test was performed with a 14.16 in. segment of HYDROLUME (2x 7.08 sections).
2. Each maximum run requires a dedicated power feed from the driver. Do not extend beyond the recommended maximum run length.
3. Actual efficacy value is dependent to specified LED driver (power supply). An estimated efficacy value can be calculated as follows: Lumen value divided by average power consumption per foot.
4. Do not install product in an environment outside the listed ambient temperature. Exceeding the maximum ambient temperature may damage LED chips, reduce the total lamp life, lumen output, and/or adversely impact color consistency.
5. Operating temperature is measured according to the minimum and maximum ambient temperature environment.
6. This product has been tested and passed glow-wire flammability tests (GWFI index) at 650°C/1200°F, providing an extra level of safety for common areas, hospitality, and areas of high risk fire.

MECHANICAL DIAGRAMS

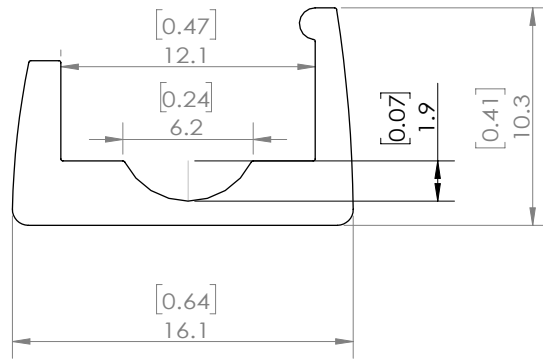
UOM: mm [in.]

HYDROLUME / HYDROLUME PLUS

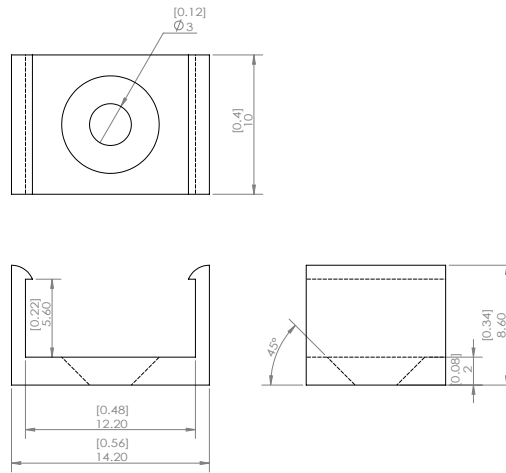


HYDROLUME MOUNTING CHANNEL

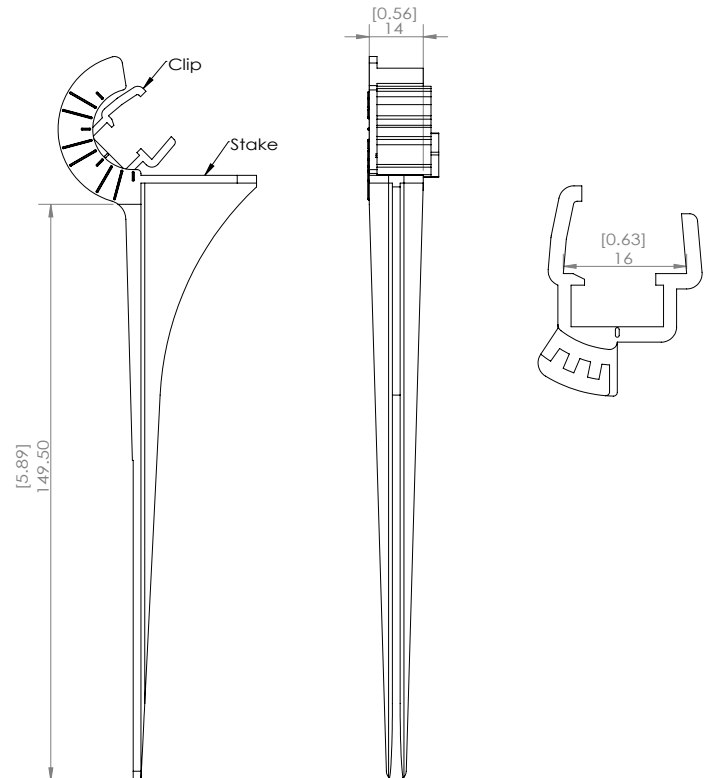
Length: 39.4in.



HYDROLUME MOUNTING BRACKET



HYDROLUME STAKE BRACKET

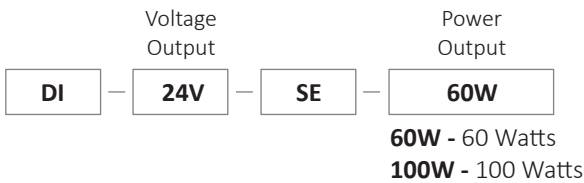


LED DRIVERS (Required)

The following Listed LED Drivers are recommended for compatibility and to meet NEC code when installed according to specifications. For additional LED Driver options see Diode LED's product page at: <https://www.diodeled.com/products/led-power-supplies.html>

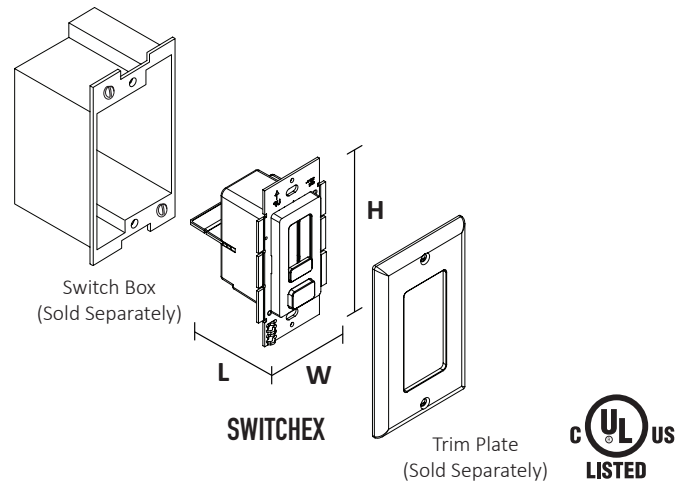
SWITCHEX® DRIVER + DIMMER SWITCH

SWITCHEX combines an LED driver and LED dimmer switch into a single integrated unit. Fits into standard switch boxes.



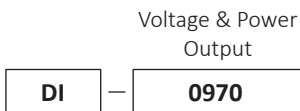
SKU	L - LENGTH	W - WIDTH	H - HEIGHT
DI-24V-SE-60W	1.40 in.	2.10 in.	4.10 in.
DI-24V-SE-100W	1.40 in.	2.10 in.	4.10 in.

Fits in Standard Switch Box



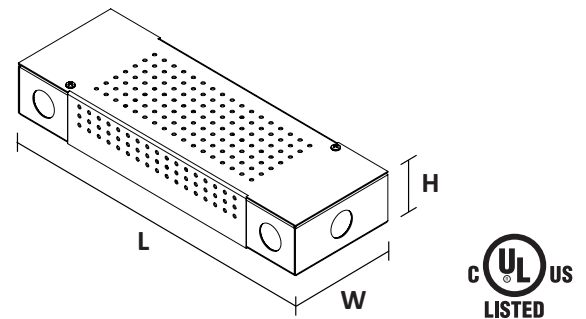
LO-PRO® JUNCTION BOX & DRIVER COMBO - 24V CONSTANT VOLTAGE LED DRIVER

Use Constant Voltage Drivers to power your lighting system. Compatible with Standard 120VAC On/Off Switches, REIGN® Low Voltage Dimmers, TOUCHDIAL™ Control System, DMX Decoders, and PWM Controls.



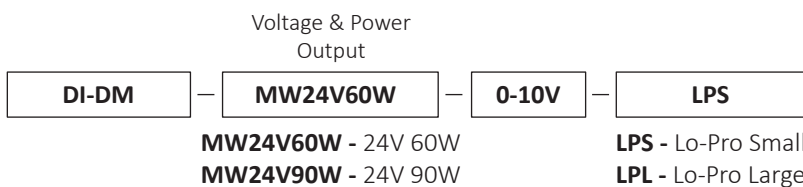
- 0970-LPS** - 24V 35W
- CV-MW24V60W-277-LPS** - 24V 60W
- CV-MW24V90W-277-LPS** - 24V 90W
- 0954-LPL** - 24V 96W

SKU	L - LENGTH	W - WIDTH	H - HEIGHT
DI-0970-LPS	11.25 in.	3.75 in.	1.90 in.
DI-CV-MW24V60W-277-LPS	11.25 in.	3.75 in.	1.90 in.
DI-CV-MW24V90W-277-LPS	11.25 in.	3.75 in.	1.90 in.
DI-0954-LPL	13.5 in.	4.5 in.	2.37 in.

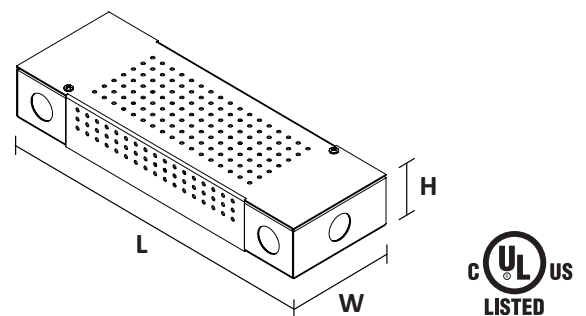


LO-PRO® JUNCTION BOX & DRIVER COMBO - 24V COMMERCIAL GRADE 0-10V LED DIMMABLE DRIVER

Compatible with 0-10V controls and dimming systems.



SKU	L - LENGTH	W - WIDTH	H - HEIGHT
DI-DM-MW-24V60W-0-10V-LPS	11.25 in.	3.75 in.	1.90 in.
DI-DM-MW-24V90W-0-10V-LPL	13.5 in.	4.5 in.	2.37 in.



LED DRIVERS CONT. (Required)

The following Listed LED Drivers are recommended for compatibility and to meet NEC code when installed according to specifications. For additional LED Driver options see Diode LED's product page at: <https://www.diodeled.com/products/led-power-supplies.html>

OMNIDRIVE® 2 ELECTRONIC DIMMABLE LED DRIVER

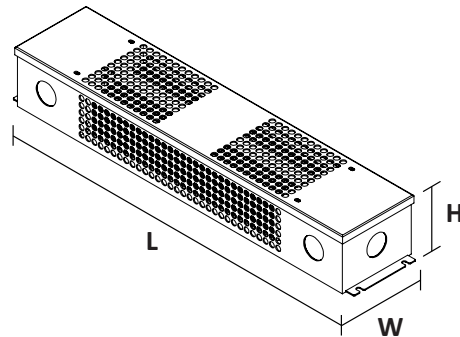
OMNIDRIVE 2 features a zero minimum load and 100-5% dimming range. Compatible with Forward Phase and Reverse Phase Dimmers. Please see Diode LED's Compatibility List at: <https://www.diodeled.com/custom/download/productFile/filename/DI-OD2-Compatibility%20List.pdf/>

Voltage & Power
Output



- 24V24W** - 24V 24W
- 24V60W** - 24V 60W
- 24V96W** - 24V 96W
- 24V120W** - 24V 120W
- 24V200W** - 24V 200W

SKU	L - LENGTH	W - WIDTH	H - HEIGHT
DI-OD2-24V24W	13.75 in.	3.00 in.	1.60 in.
DI-OD2-24V60W	13.75 in.	3.00 in.	1.60 in.
DI-OD2-24V96W	15.00 in.	3.10 in.	2.40 in.
DI-OD2-24V120W	15.00 in.	3.10 in.	2.40 in.
DI-OD2-24V200W	16.10 in.	3.40 in.	2.40 in.



LUTRON® Hi-lume 1% LED DIMMABLE DRIVER

Hi-lume 1% LED Driver has a minimum load of 5W and dims from 100-1%.

Voltage & Power
Output

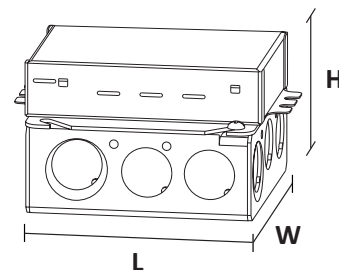
3-Wire or 2-Wire Dimmers



24V40W - 12V 40W

- L3D** - Lutron Hi-lume 1% EcoSystem /3-Wire Voltage LED Driver
- LTE** - Lutron Hi-lume 1% 2-Wire LED Driver (120V Forward Phase Only)

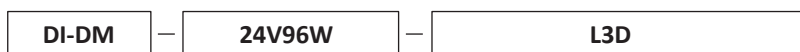
SKU	L - LENGTH	W - WIDTH	H - HEIGHT
DI-DM-24V40W-L3D	4.89 in.	4.00 in.	2.62 in.
DI-DM-24V40W-LTE			



LUTRON® Hi-lume Premier 0.1% LED DIMMABLE DRIVER

Hi-Lume Premier 0.1% LED Driver has a minimum load of 5W and dims from 100-0.1%.

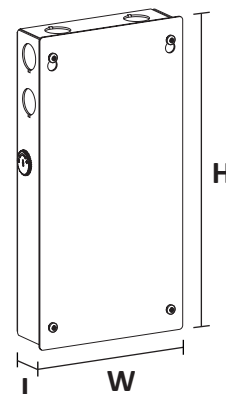
Voltage & Power
Output



24V96W - 24V 96W

- L3D** - Lutron Hi-lume Premier 0.1% EcoSystem/3-Wire LED Driver

SKU	L - LENGTH	W - WIDTH	H - HEIGHT
DI-DM-24V96W-L3D	5.50 in.	2.20 in.	10.50 in.



ADDITIONAL INFORMATION

- HYDROLUME LED STRIP LIGHT Installation Guide

SAFETY / WARNINGS / DISCLOSURES

1. Install in accordance with national and local electrical code regulations.
2. This product is intended to be installed and serviced by a qualified, licensed electrician.
3. Only install with a listed Class 2 DC Constant Voltage LED Driver.
4. Not for use in or on walls of pools, fountains, or other partially or fully submerged locations.
5. HYDROLUME is NOT rated as field-cutable. Do not modify or disassemble product beyond instructions or this warranty will be void.
6. Actual color may vary from what is pictured above and on other print materials due to the limitations of photographic processes.
7. We reserve the right to modify and improve the design of our fixtures without prior notice. We cannot guarantee to match existing installed fixtures for subsequent orders or replacements in regards to product appearance, CCT, or lumen output.

WARRANTY

Limited Warranty

This product has a five (5) year limited warranty from the date of shipment. This warranty does not include the additional accessories referenced in this specification sheet. Complete warranty details for fixtures and additional accessories are available at www.diodeled.com/limited-warranty/ within the Policies section. For warranty related questions please contact product support.

Consumer's Acknowledgment

Elemental LED, Inc. stands behind its products when they are used properly and according to our specifications. By purchasing our products, the purchaser agrees and acknowledges that lighting design, configuration and installation is a complex process, wherein seemingly minor factors or changes in layout and infield adjustments can have a significant impact on an entire system. Choosing the correct components is essential. Elemental LED is able to work with the original purchaser to make an appropriate product selection to the extent of the limited information that the customer can provide, but it is virtually impossible for Elemental LED to design a system that foresees every unknown factor. For this reason, this Warranty does not cover problems caused by improper design, configuration or installation issues. Any statement from an Elemental LED employee or agent regarding a customer's bill of goods and/or purchase order is NOT an acknowledgment that the products purchased are designed and configured correctly. The purchaser agrees and acknowledges that it is the customer's responsibility to adhere strictly to all information contained in the Product Specification Sheets.

There is often more than one way to design, configure and layout an LED lighting application properly to achieve the same lighting effect. Elemental LED strongly recommends that licensed professionals be used in the design and installation of lighting systems that include Elemental LED products. The specifications include important information that a designer and installer should carefully review and strictly follow. Qualified designers and certified and/or licensed installers, with access to the final installation environment, customer goals, and Elemental LED product specifications can make the requisite decisions appropriate for a successful finished lighting application.



© 2017 Elemental LED, Inc. All rights reserved.
Specifications are subject to change without notice.

Toll Free: 877.817.6028 | Fax: 415.592.1596 | www.DiodeLED.com | info@DiodeLED.com

SPEC SHEET | HYDROLUME® 24V STRIP LIGHT | SS092017-5.0 | 6 OF 6